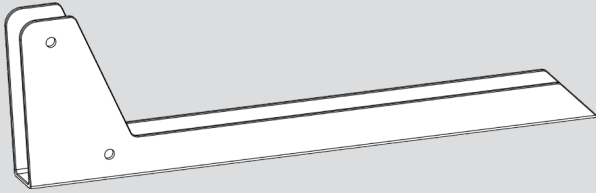


COVERVALET™ PRO

PREMIUM HOT TUB COVER LIFTER

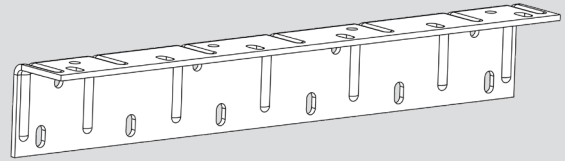
PARTS

2x



Channel Bracket (cvBB)

2x



Side Mount Bracket (cvAA)

1x



Locking Gas Shock (cvLS)

1x



Gas Shock (cvRS)

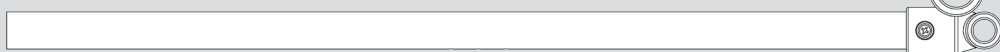
2x

Pivot Arm (cvCC)



2x

Extension Arm (cvDD)



2x

Connection Bar 1 (cvEE)



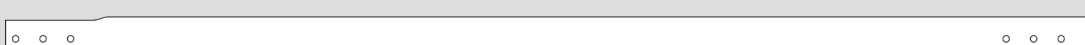
1x

Connection Bar 2 (cvFF)



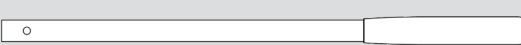
1x

Connection Bar 3 (cvFF)

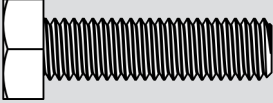
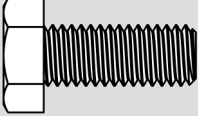
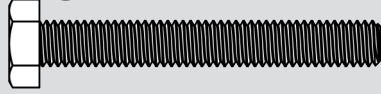

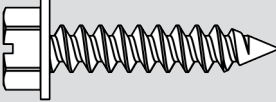

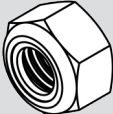









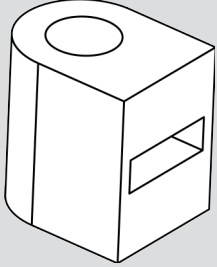
2x

Finger (cvEE)



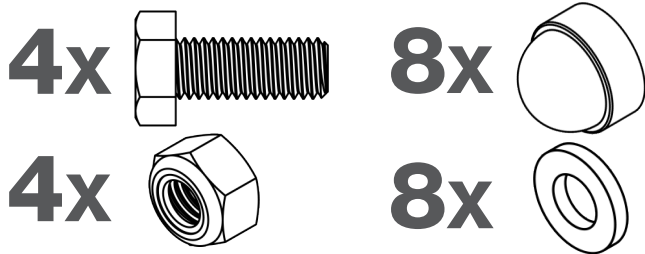
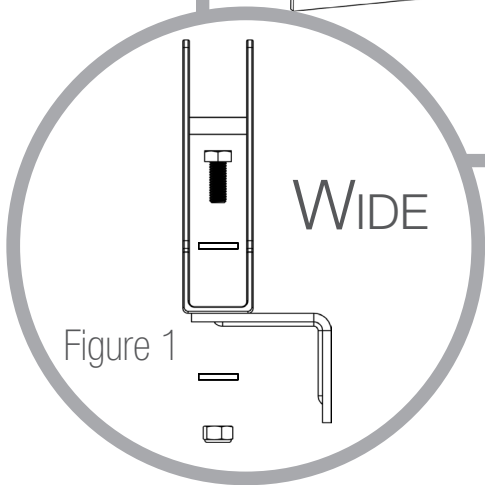
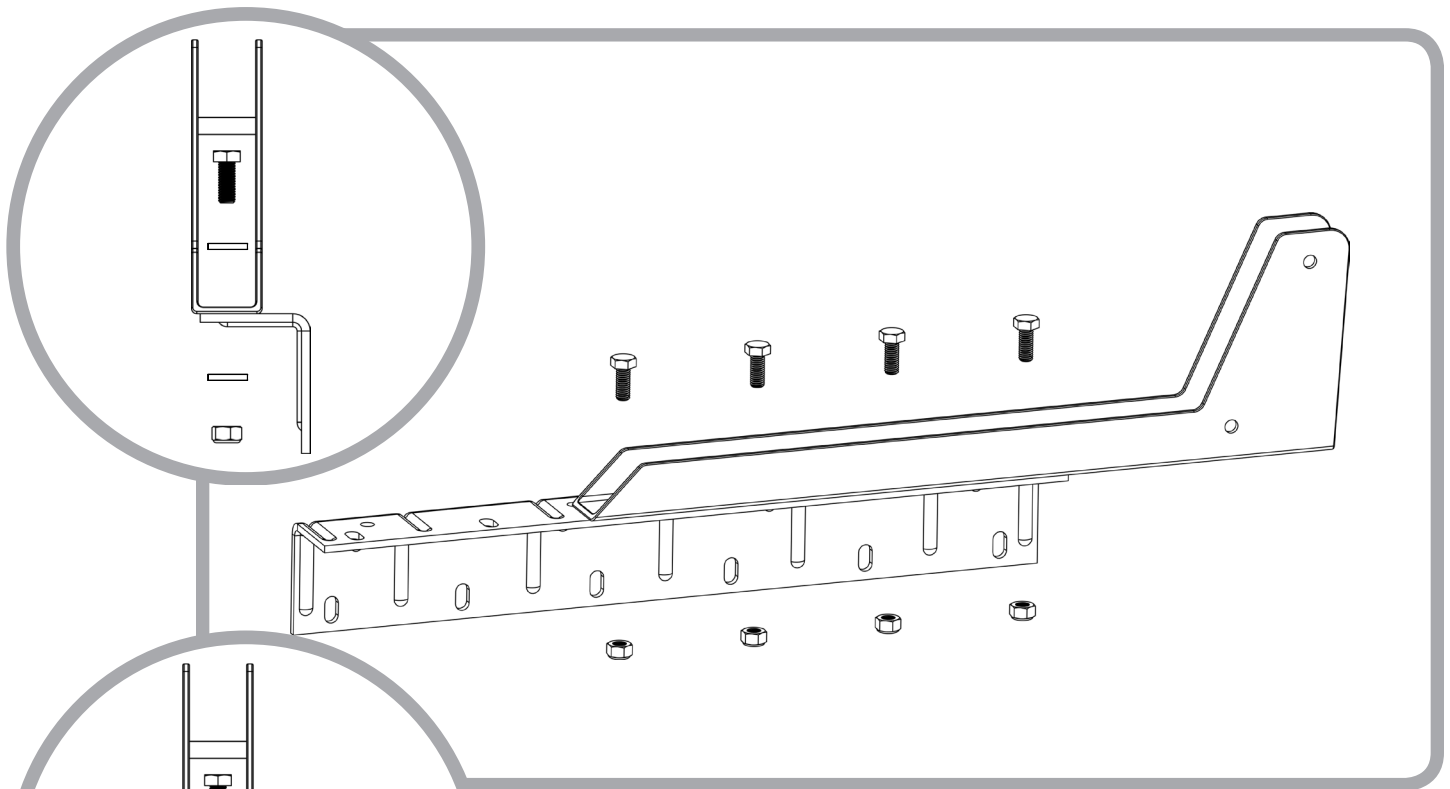
HARDWARE

2x	Medium Hex Bolt (cvC) 
10x	Small Hex Bolt (cvD) 
4x	Long Hex Bolt (cvB) 
4x	Set Screw (cvK) 
10x	Lag Screw (cvA) 
16x	Self Tapping 
12x	Large Lock Nuts (cvE) 
4x	Small Lock Nuts (cvE) 
4x	Screw Sleeve 

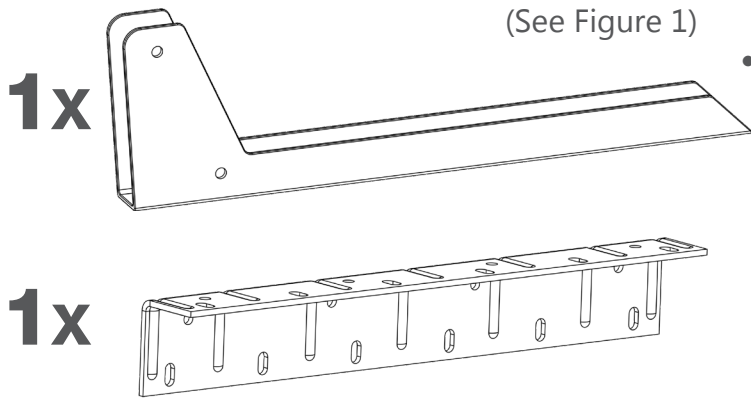
24x	Large Screw Cap (cvH) 
28x	Medium Screw Cap (cvH) 
16x	Small Screw Cap (cvH) 
24x	Large Washer (cvW) 
8x	Small Washer (cvW) 
2x	Plastic Support (cvPS) 

STEP 1

ASSEMBLING BRACKET



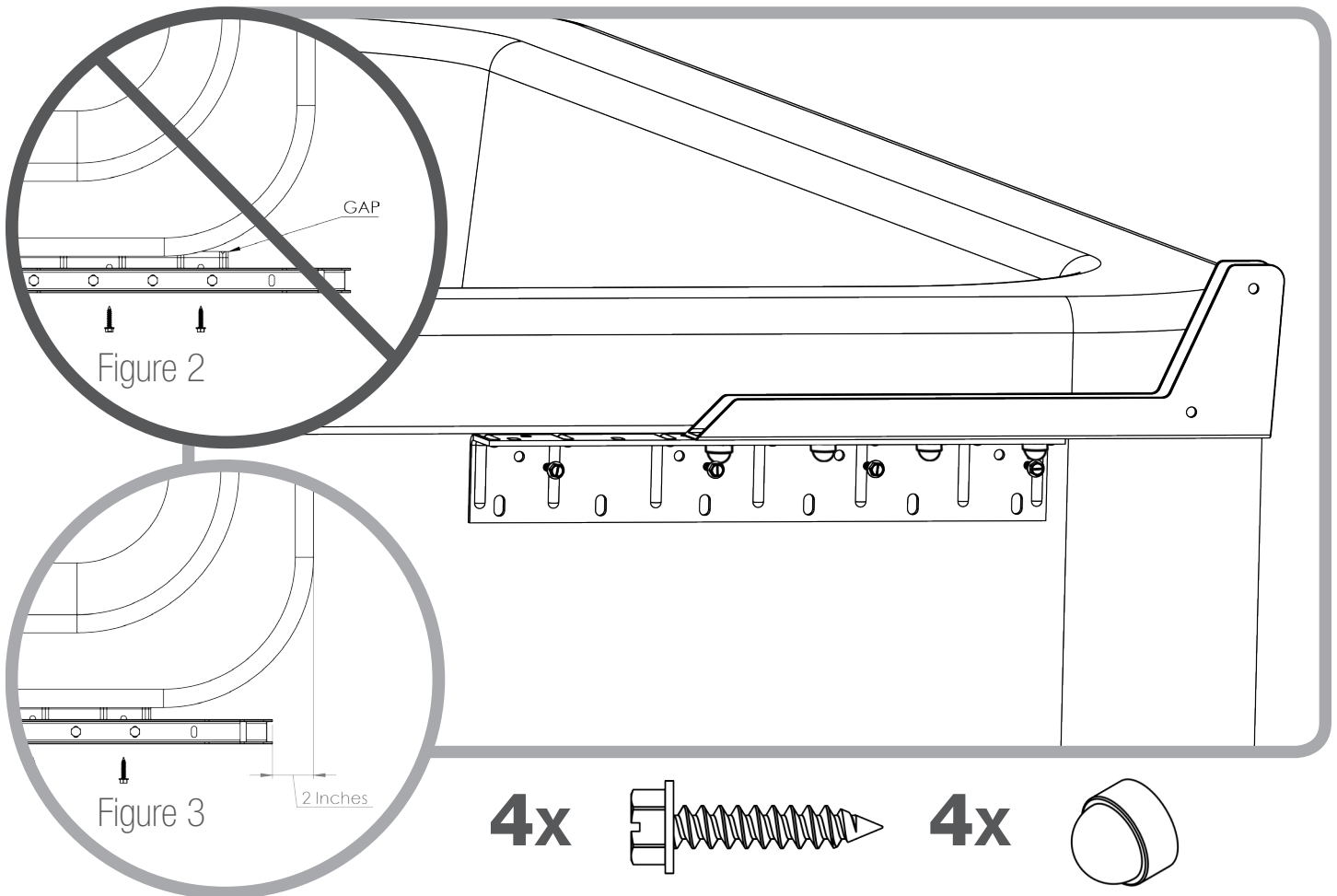
Note: The Side Mount Bracket (cvAA) has a small side and a long side if your cover is extra wide mount the Channel Bracket (cvBB) to the long side. (See Figure 1)



- Line up the slotted holes on the Channel Bracket (cvBB) to the Side Mount Bracket (cvAA) and bolt them together using at least 4 Short Hex Bolts (cvD), 8 Large Washers (cvW), and 4 Large Lock Nuts (cvE). The Channel Bracket (cvBB) should hang over the edge of the Side Mount Bracket (cvAA).

STEP 2

MOUNTING BRACKET

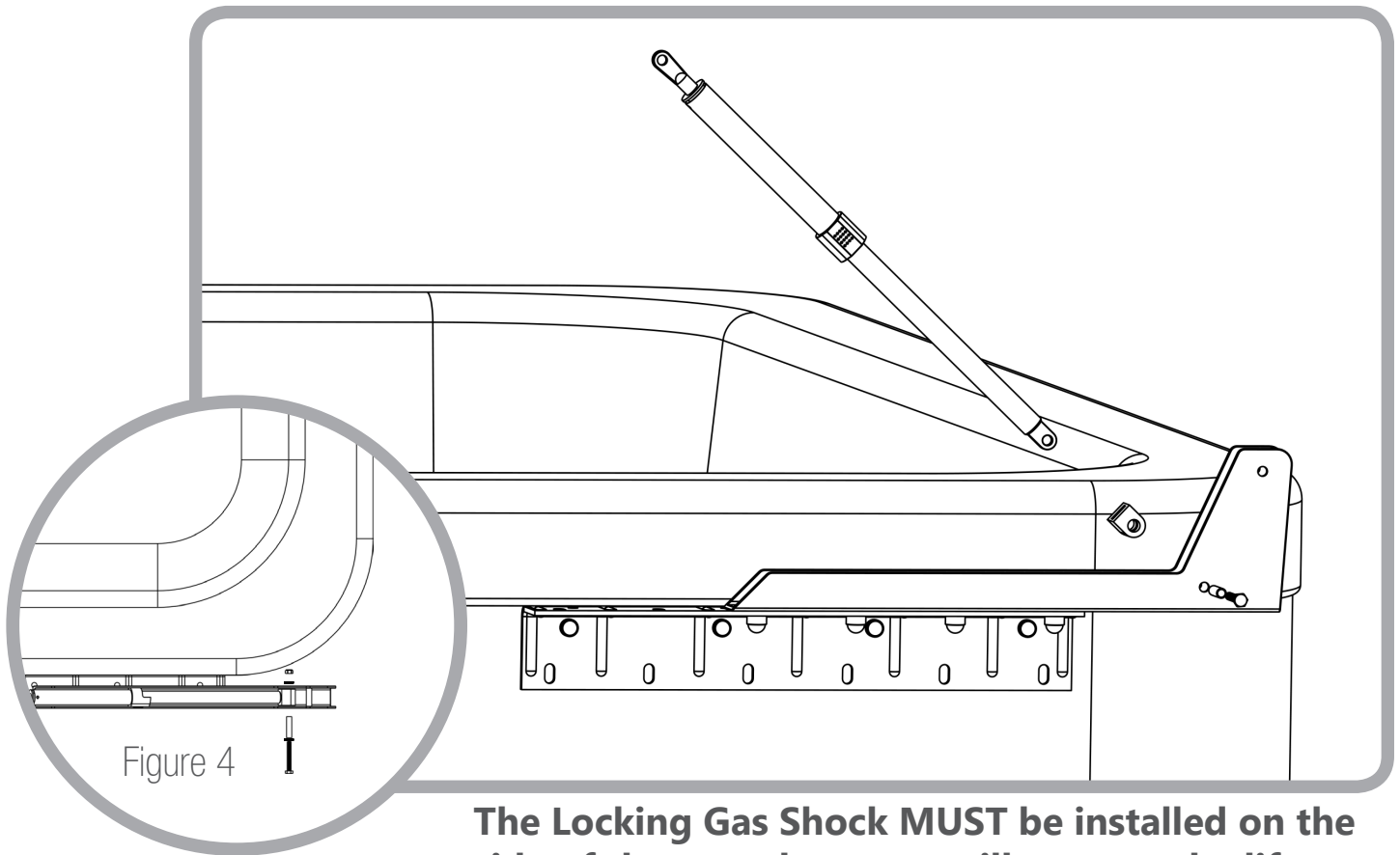


- Place the assembled bracket against the side of the spa. The Side Mount Bracket (cvAA) must be flush with the side of the spa. **DO NOT** allow the Side Mount Bracket (cvAA) to hang over the rounded edge. (See figure 2)
- The rear edge of the Channel Bracket (cvBB) should be 2 inches from the rear edge of the acrylic (See figure 3). The top of the Side Mount Bracket (cvAA) should be flush with the top of the spa cabinet.
- Use 4 Lag Screws (cvA) to mount the Side Mount Bracket (cvAA) to the side of the spa.
- Cover the Lag Screws (cvA) with Screw Caps (cvH)

Repeat Steps 1&2 on the opposite side of the spa

STEP 3

INSTALLING SHOCKS

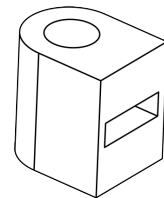


The Locking Gas Shock MUST be installed on the side of the spa where you will operate the lift.

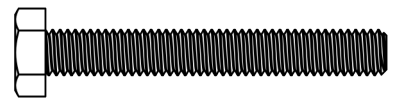
- Place the piston end of the Locking Gas Shock (cvLS) into the Plastic Support (cvPS)
- Fasten the Locking Gas Shock to the Channel Bracket (cvBB) using the Long Hex Bolt (cvB), the Screw Sleeve (cvSS), the Small Lock Nut (cvE), and 2 Small Washers (cvW) as shown in Figure 4.
- Place Medium Screw (cvH) caps over the Small Lock Nut (cvE) and Long Hex Bolt (cvB)

REPEAT STEP FOR THE OPPOSING SIDE

1x



1x



1x



1x



2x

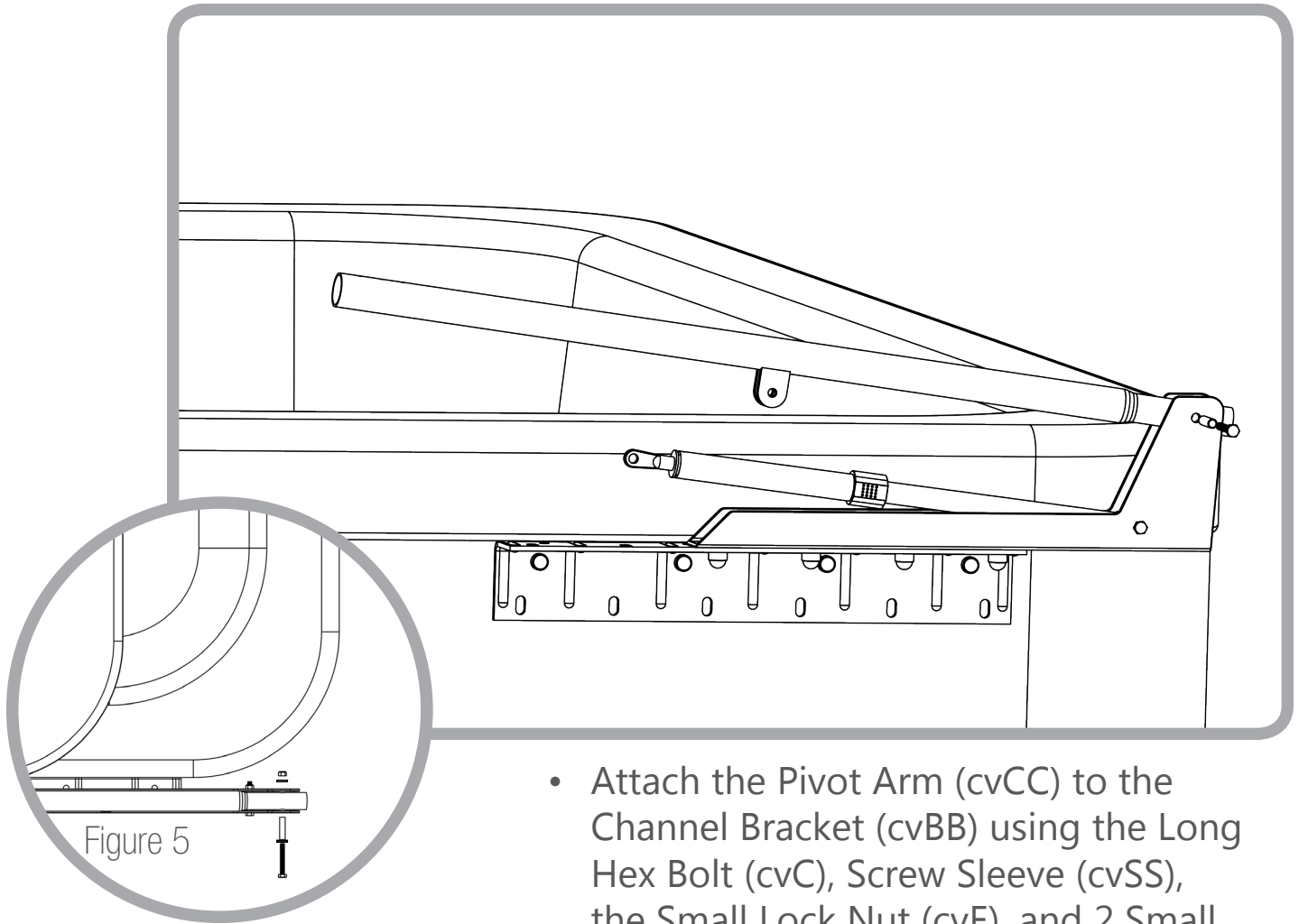


2x

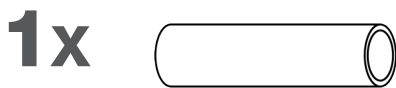
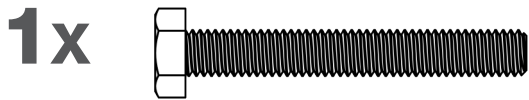


STEP 4

INSTALLING PIVOT ARM



- Attach the Pivot Arm (cvCC) to the Channel Bracket (cvBB) using the Long Hex Bolt (cvC), Screw Sleeve (cvSS), the Small Lock Nut (cvE), and 2 Small Washers (cvW).
- Ensure the Small Lock Nut is on the outside of the Channel Bracket (cvBB) and the Pivot Arm (cvCC) moves up and down easily. See Figure 5.
- Place Medium Screw (cvH) caps over the Small Lock Nut (cvE) and Long Hex Bolt (cvB)



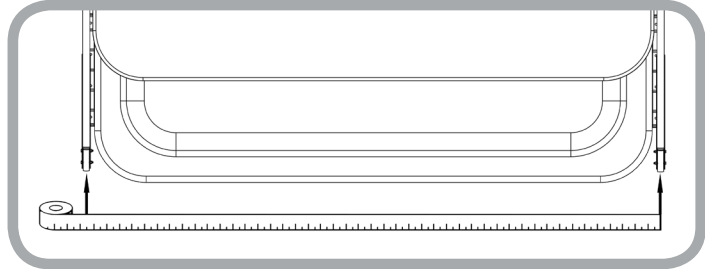
REPEAT STEP FOR THE OPPOSING SIDE

STEP 5

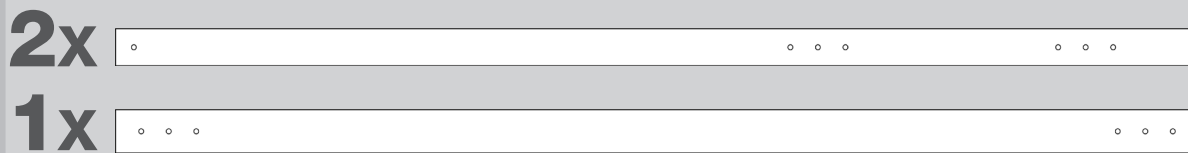
ASSEMBLING CONNECTION BAR

Depending on the width of your spa this step will vary.

Start by measuring the distance between the Channel Brackets(cvBB) mounted on the spa.

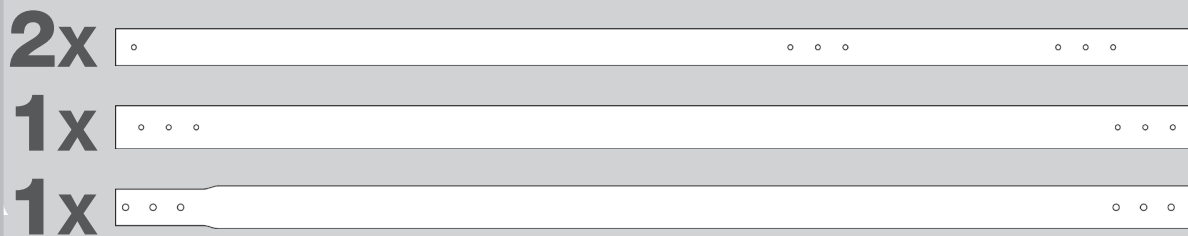


UNDER 6½ FT



- One Connection Bar 1 (cvEE) will slide into each side Connection Bar 2 (cvEE)
- Screw the bars together according to the distance inbetween the Channel Brackets(cvBB) using Self Tapping Screws


OVER 6½ FT



- Attach the tapered side of Connection Bar 3 (cvEE) to Connection bar 2 (cvEE) using 3 Self Tapping.
- Slide the 2 remaining Connection Bar 1 into the ends so the single set of holes is on the outside.
- Screw the bars together according to the distance using Self Tapping

STEP 6

ASSEMBLING THE COVER LIFTER A

2x 

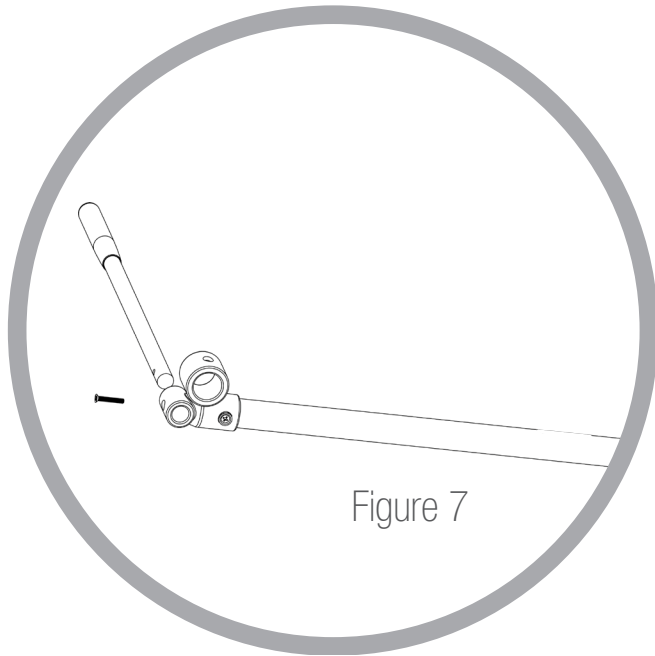


Figure 7

- Insert the Finger (cvEE) into the mounting hole on Plastic Support (cvPS) and fasten it with Set Screw (cvK) as shown in fig. 7.

Repeat this step for the other side of the spa, Be sure to mount the Finger (cvEE) facing the opposite direction

- Slip the Fingers (cvEE) under the seam in the middle of the spa cover facing the extension arm (cvDD) pointing towards the Pivot Arm (cvCC) The "knuckle" of the Plastic Support (cvPS) should be facing Up. See fig. 8

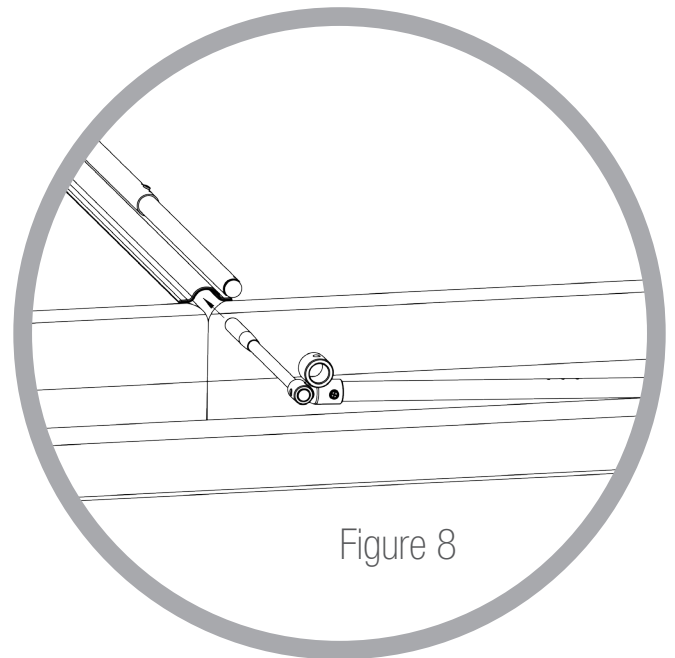



Figure 8

2x 

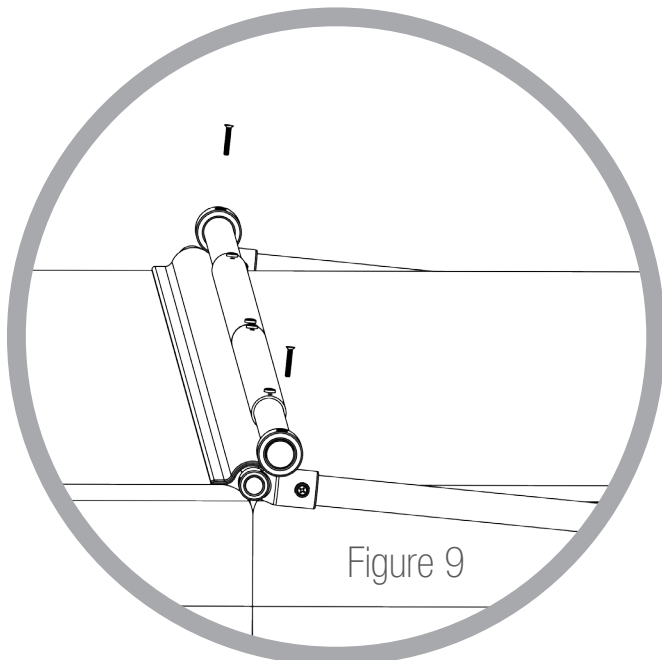


Figure 9

- Insert both ends of the connection arm into the Plastic Support (cvPS) and fasten them using Set Screws (cvK) as shown in fig. 9

STEP 7

ASSEMBLING THE COVER LIFTER B

***You will need at least one person to help hold the cover during this step**

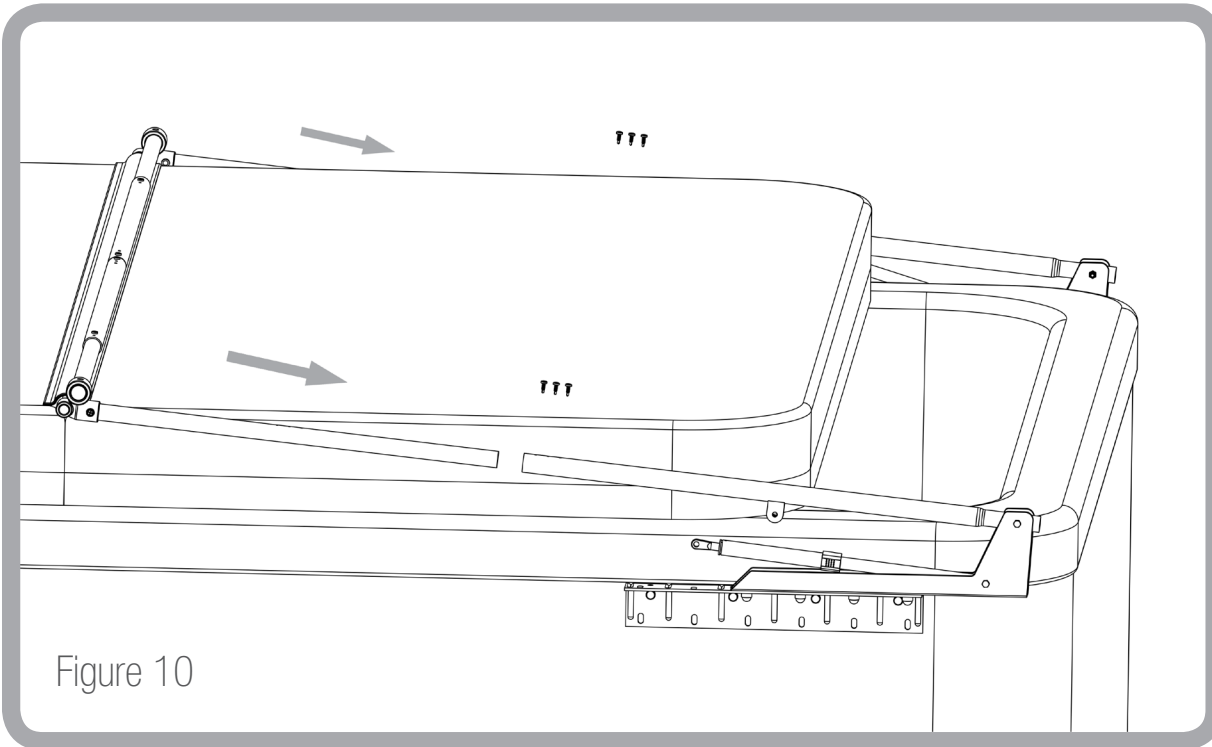




Figure 10

6x  **6x** 

- Slide the Extension Arm (cvDD) into the Pivot Arm (cvCC), making sure to center the spa cover over the spa. See Fig 10.
- Once the spa cover has been centered Fasten it into position using Self Tapping Screws then cover with Small Screw Caps (cvH).
- Before continuing to the next step be sure your spa cover is attached to hot tub with locking clips on the side where the spa cover rests while open. See fig. 11.

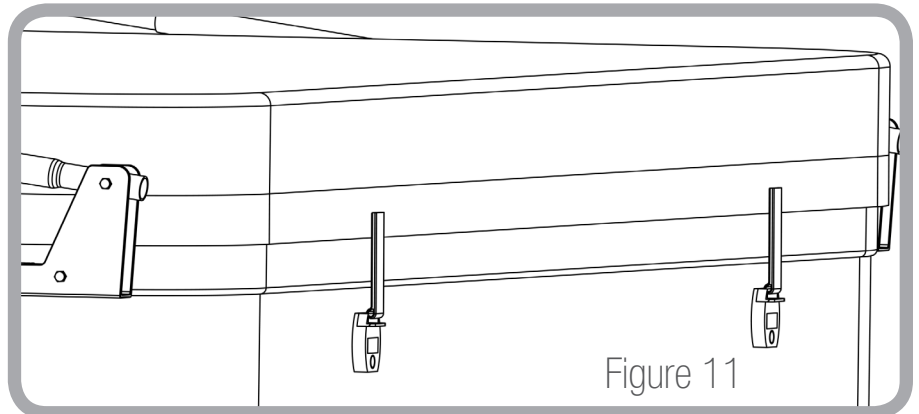
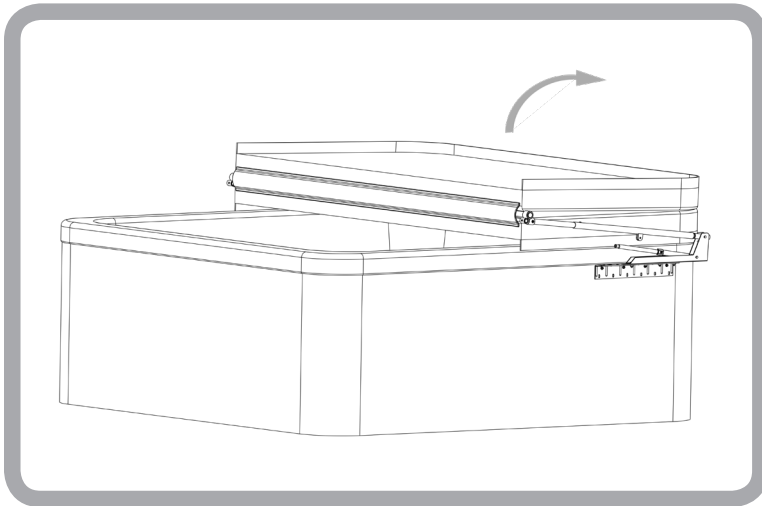


Figure 11

STEP 8

ATTACH SHOCK TO COVER LIFTER

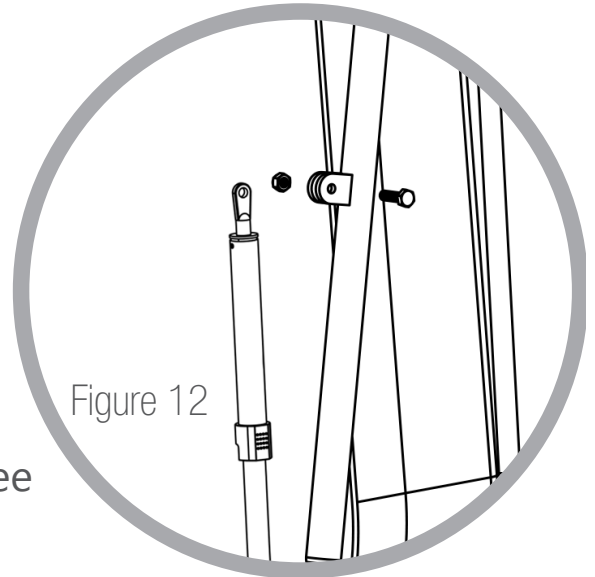
***You will need at least one person to help hold the cover during this step**



- Fold Back the spa cover onto itself then manually lift the Cover Valet and spa cover to the upright position.

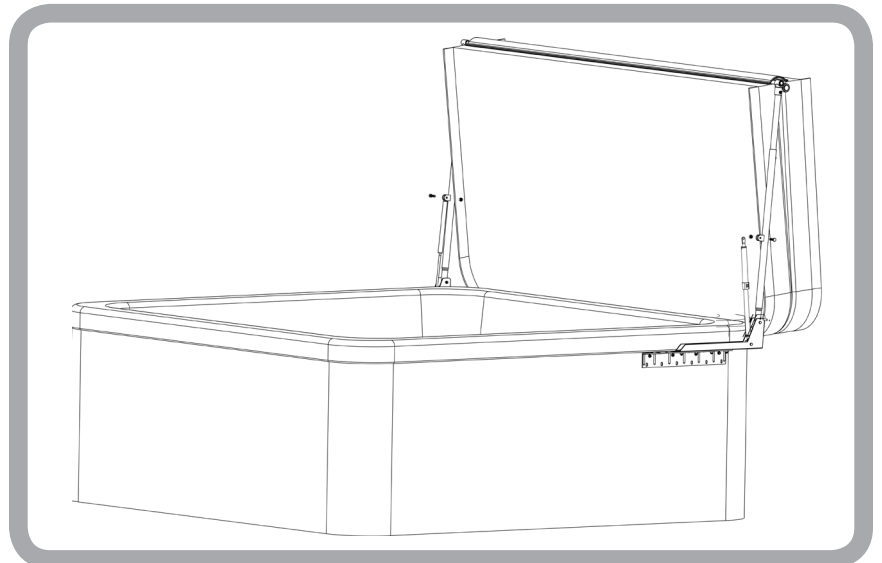
- With the cover upright attach the Regular Gas Shock (cvRS) to the Pivot Arm (cvCC) with a Medium Hex Bolt (cvC), 2 Large Washers cvW), and Large Lock Nut (cvE). See fig. 12

Repeat this step on the other side of the spa with the Gas Shock (cvRS)



⚠ IMPORTANT: When operating the Cover Valet, make sure you press the green button on the Locking Gas Shock (cvLS). This will disengage the locking mechanism and allow you to lower the cover back onto the spa.

Not disengaging the locking mechanism WILL damage your Cover Valet and/or spa cover.



CALIFORNIA HOME SPAS, INC.

COVER VALET 5-YEAR LIMITED WARRANTY

Any Cover Valet shown to be unserviceable due to defects in materials or workmanship within 5 years from the date of purchase will be repaired or replaced at the option of California Home Spas, INC, without charge for labor or materials. (This excludes the cost of freight to and from the manufacturer).

EXCLUSIONS:

- A. This warranty does not cover damage incurred by the use of the Cover Valet and/or the spa cover, other than in accordance with the printed literature provided by California Home Spas, INC.
- B. Defects in components of any part, which are not part of the Cover Valet.
- C. Misuse, abuse, negligence, accident, or alterations other than authorized by California Home Spas, INC.
- D. Improper installation, normal fading and minor deterioration caused by exposure to the sun, rain, chemicals or environmental factors.
- E. Use of solvents, abrasive cleaners or brushes, and strong detergents.
- F. Gas shock: 1 year.

Except as expressly provided, there shall be no additional Warranty obligation expressed or implied oral or statutory

ADDITIONS:

- A. California Home Spas, INC. shall not be liable for consequential damages or incidental expenses resulting from any breach of the before mentioned warranties.
- B. This warranty gives you specific legal rights and you may have other rights which can vary in different states and countries.
- C. Any dispute between the Buyer and California Home Spas, INC. pertaining to this warranty may, at the option of the Buyer, be resolved in the State of California, USA, in according to the rules of the American Arbitration Association.
- D. Should any one or more of the terms, provisions, covenants, or conditions of this warranty be determined void, invalid, illegal, or unlawful in any respect, then it shall be so, however it will not affect any of the other terms or provisions of this warranty and the remainder hereof shall still be in effect.

California Home Spas, Inc.

Cover Valet 5-Year Limited Warranty

COVER VALET WARRANTY REGISTRATION FORM

Complete and return within (10) days. Please type or print clearly. Incomplete and/or unreadable forms may not be registered.

You can also register your warranty online at www.covervalet.com

Owners Name: _____

Address: _____

Phone Number: () _____

E-Mail Address: _____

Date of Purchase: _____ . Dealer's Name: _____

How did you hear about us?

1. Dealer _____ . 4. Home Show _____ . 7. Other _____ .

2. Showroom Display _____ . 5. Magazine _____ . 8. Internet (website) _____

3. Friend _____ . 6. T.V. _____ .

For more information, Please contact us at: Cover Valet Toll free: 1-800-730-7727

1621 East Spring Street. International: (001) (562) 283-0595

Visit us at: www.CoverValet.com Long Beach, CA. 90806 USA E-mail: Questions@covervalet.com

